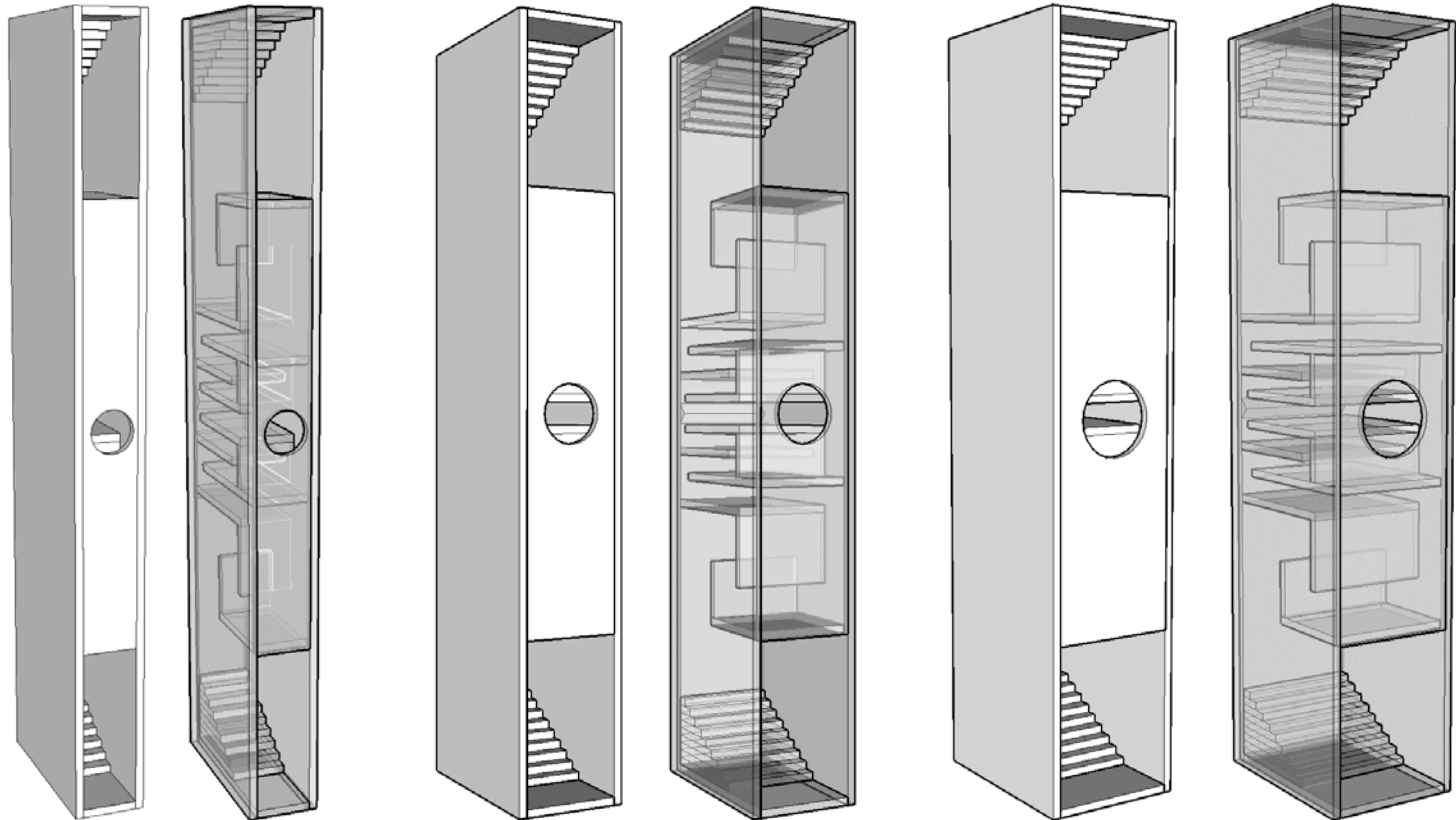




frugal-horn.com

v2 Olson/Nagaoka Manifold Horns

for Fostex FE126En, FE166En, FE206En



Second generation double-mouth back-horns for Fostex FE x 6En series drive units. Kongō, Haruna, and Kirishima.

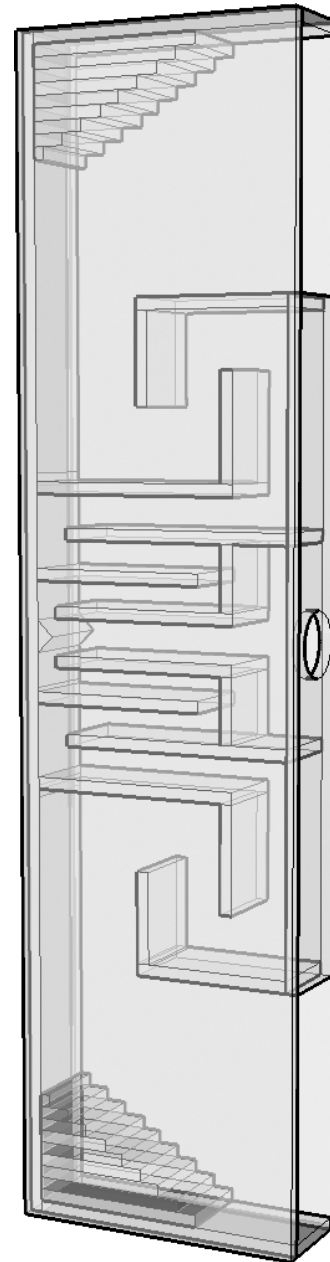
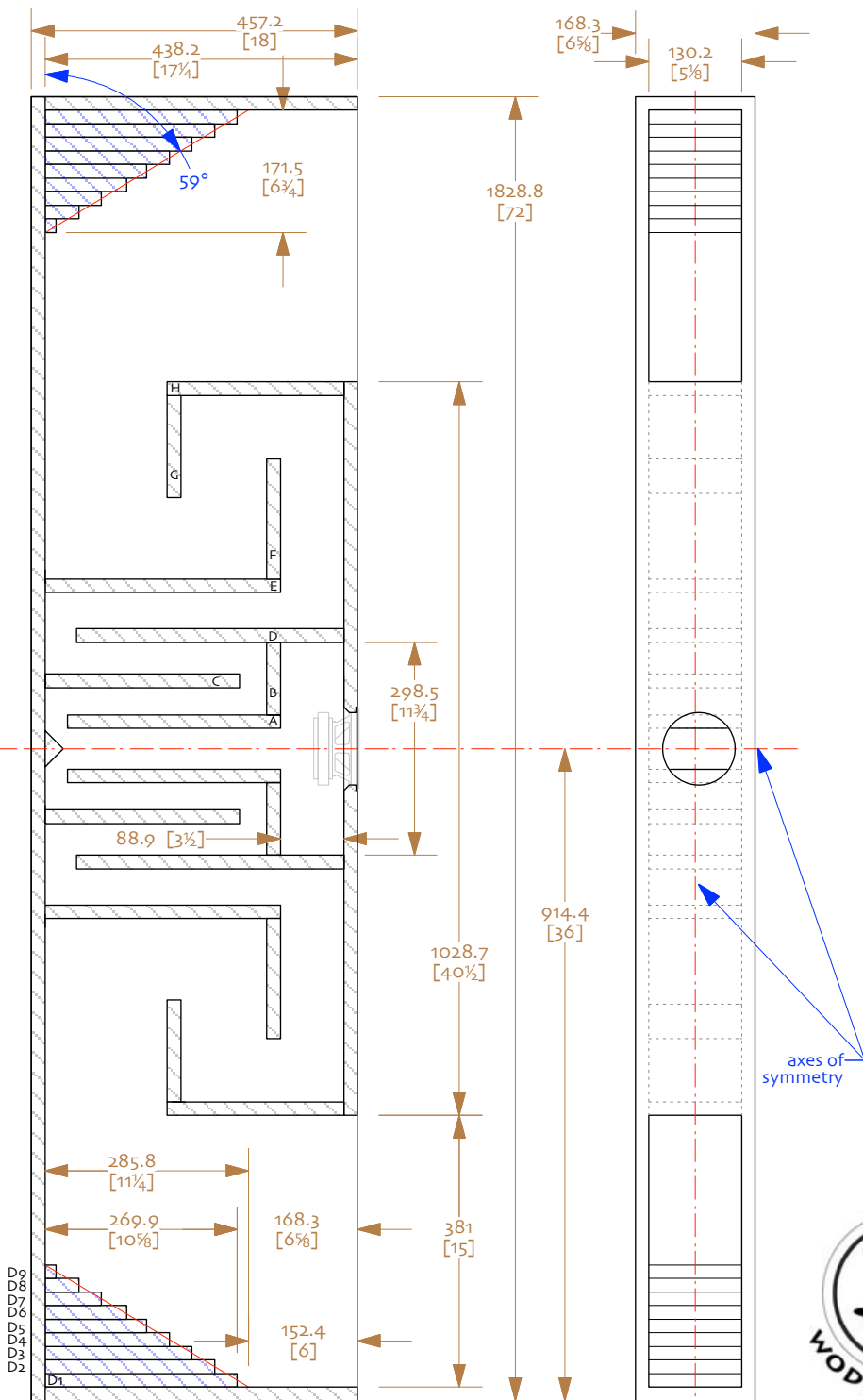
Default damping: line 5 faces of the driver chamber with 1/2" (12mm) material; cotton / wool felt or similar (open-cell foam is not recommended), ensuring the throat remains clear. Some loose fill, or lining in throat may be used for fine tuning the upper-corner frequency (lower midrange output) from the mouths. Please adjust to suit individual space / system / taste.

All of the designs featured on frugal-horn.com are made available free for non-commercial use. However, voluntary donations are much appreciated, as they help us to offset the cost of keeping the site running.

Drawings:
0/ title/notes
1/ Kongō 3/4" plan
2/ Kongō detail
3/ Haruna 3/4" plan
4/ Haruna detail
5/ Kirishima 3/4" plan
6/ Kirishima detail
7/ Kirishima 18mm plan
8/ Kirishima 18mm detail



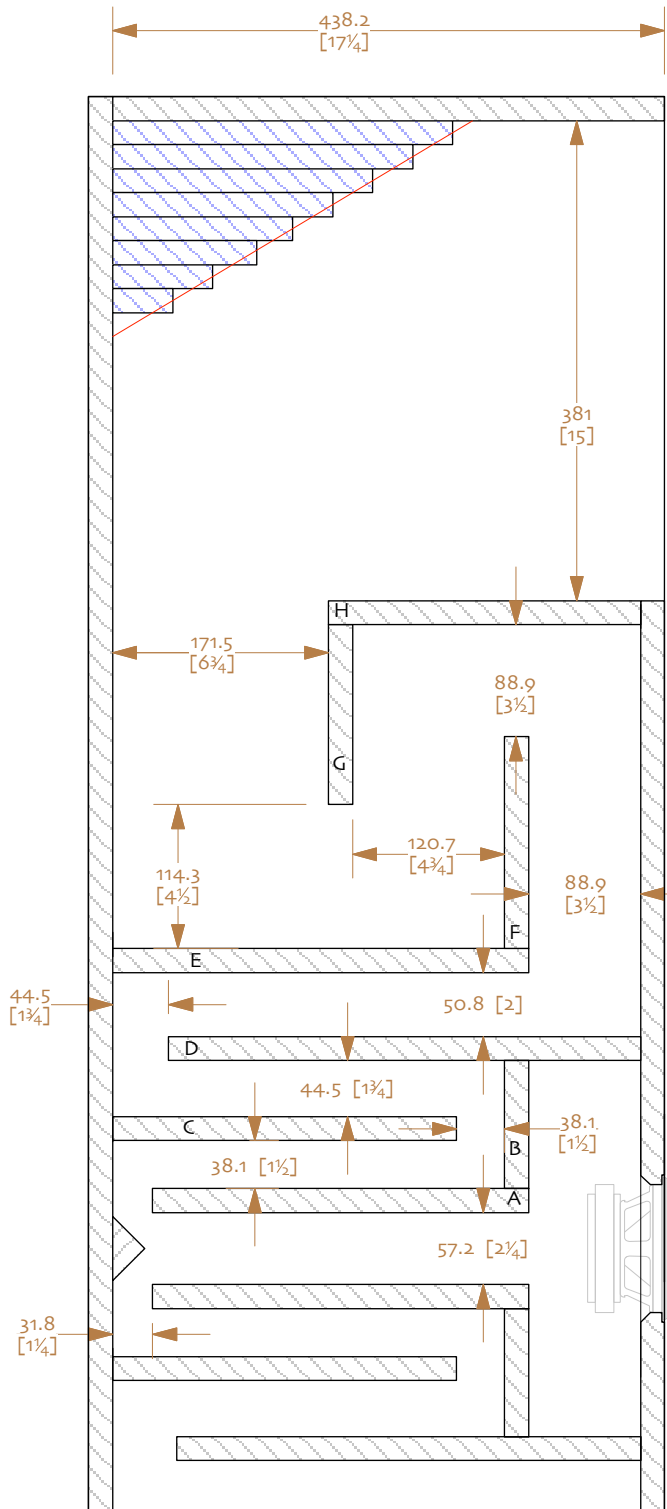
©2007-2017 frugal-horn.com
designed by Scott Lindgren | drawn by dld | 18-november-2017
for non-commercial use only



Kongō Manifold Horn ov92
 FE126En | 07-april-2012
 Sheet 0 - 3/4" plans
 designed by Scott Lindgren | drawn by dld
 © 2007-2012 frugal-horn.com
 free for non-commercial use only

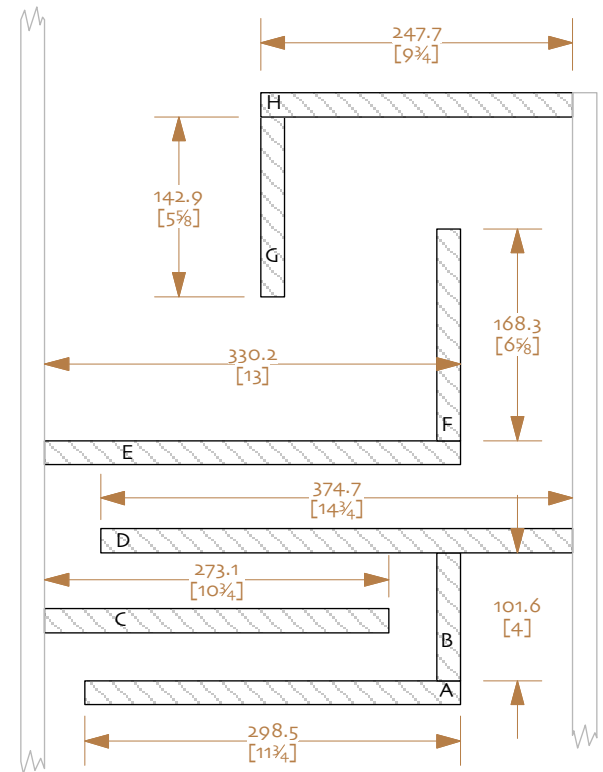
Notes:

- 0/ drawn using 3/4" (19mm) material
- 1/ you may replace the stacked corner deflectors with a single angled piece



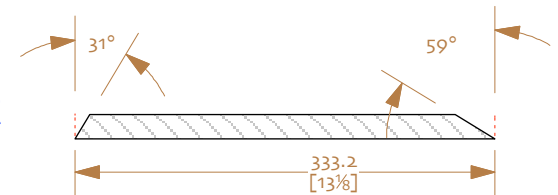
5 1/8" wide pieces

| | | |
|---------|--------|-------|
| A | 11 3/4 | 2 off |
| B | 4 | 2 off |
| C | 10 3/4 | 2 off |
| D | 14 3/4 | 2 off |
| E | 13 | 2 off |
| F | 6 5/8 | 2 off |
| G | 5 5/8 | 2 off |
| H | 9 3/4 | 2 off |
| top/bot | 17 1/4 | 2 off |
| back | 72 | 1 off |
| baffle | 40 1/2 | 1 off |
| D1 | 10 5/8 | 2 off |
| D2 | 9 3/8 | 2 off |
| D3 | 8 1/8 | 2 off |
| D4 | 6 7/8 | 2 off |
| D5 | 5 5/8 | 2 off |
| D6 | 4 3/8 | 2 off |
| D7 | 3 1/8 | 2 off |
| D8 | 1 7/8 | 2 off |
| D9 | 5/8 | 2 off |
| alt def | 13 1/8 | 2 off |

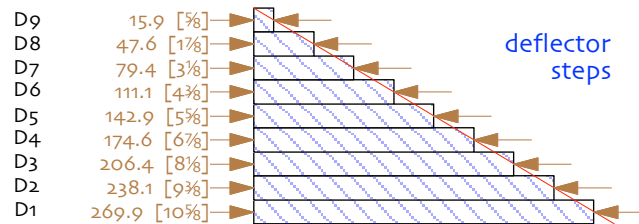


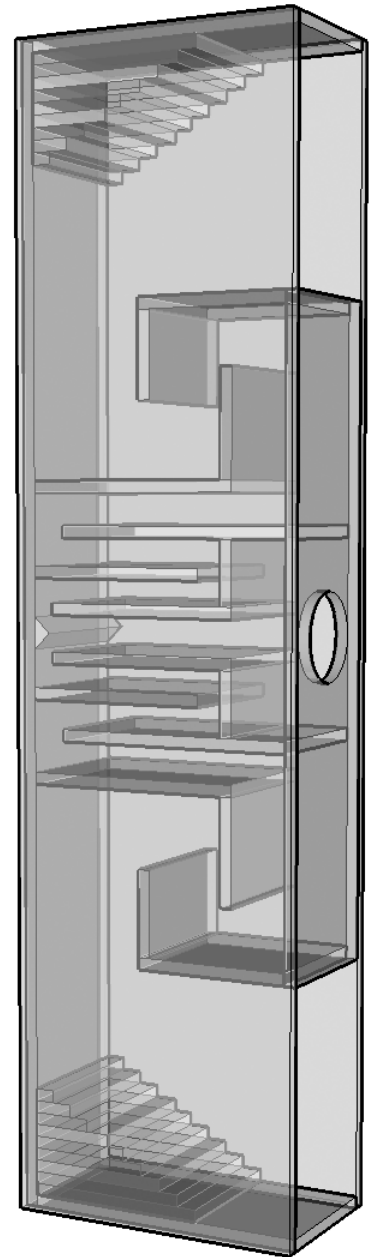
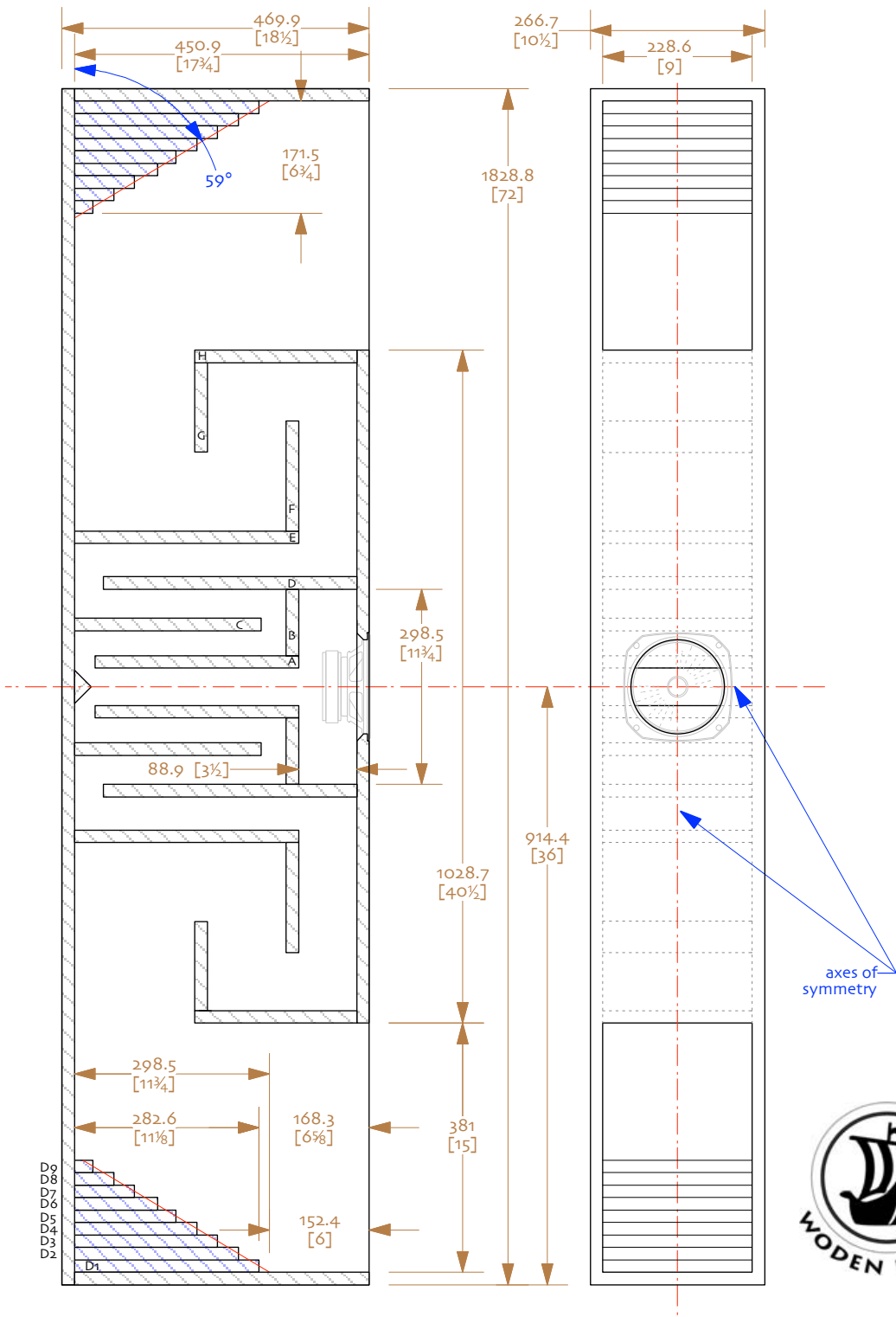
Kongō Manifold Horn ov92
 FE126En | 07-april-2012
 Sheet 0 - 3/4" plan details
 designed by Scott Lindgren | drawn by dld
 © 2007-2012 frugal-horn.com
 free for non-commercial use only

alternate deflector



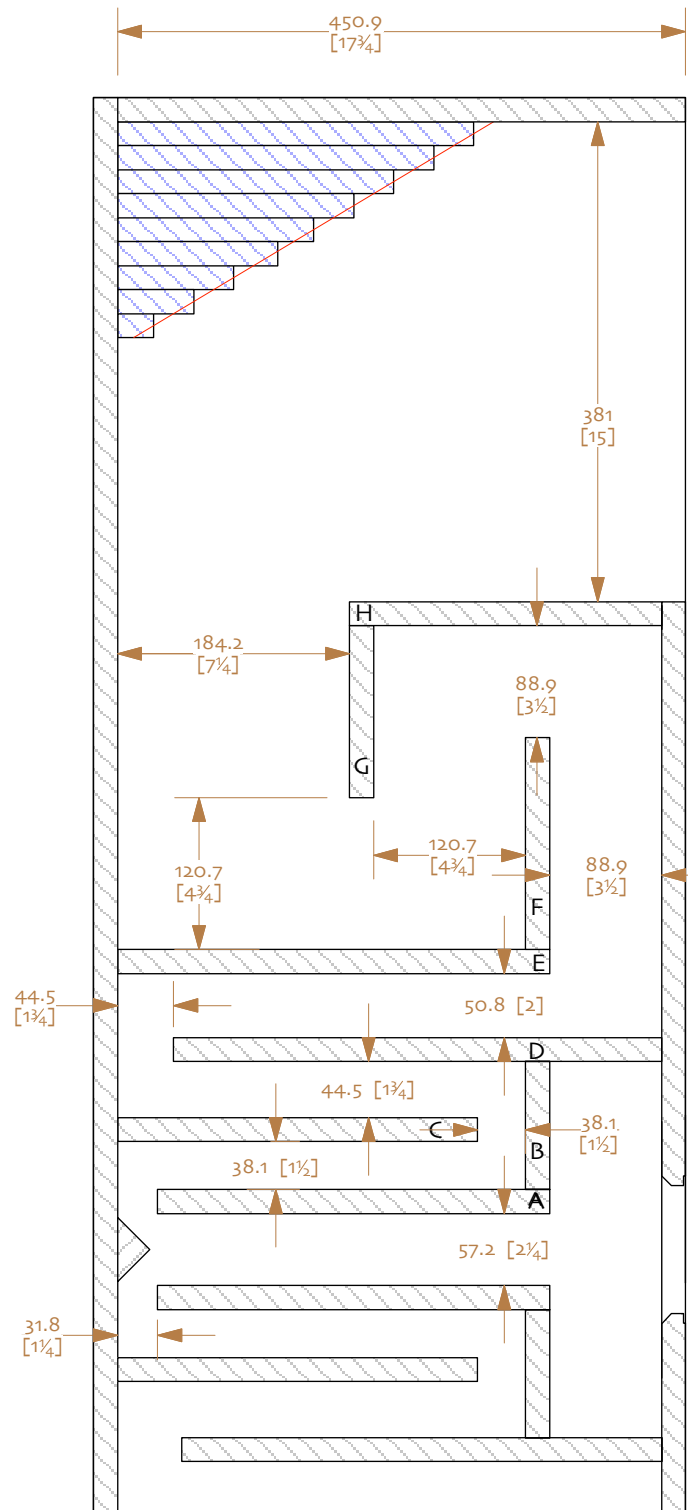
deflector steps





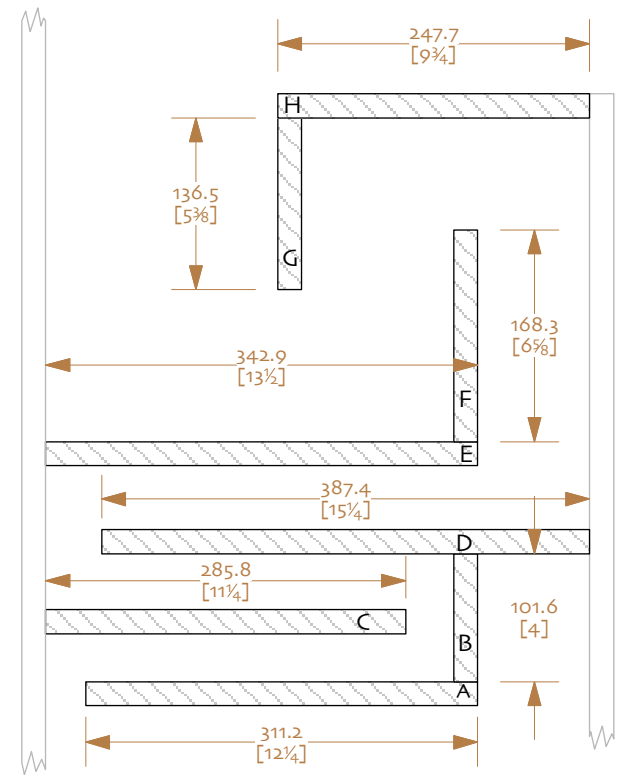
Haruna Manifold Horn ov93
 FE166En | 07-april-2012
 Sheet 0 - 3/4" plans
 designed by Scott Lindgren | drawn by dld
 © 2007-2012 frugal-horn.com
 free for non-commercial use only

Notes:
 o/ drawn using 3/4" (19mm) material
 1/ you may replace the stacked corner deflectors with a single angled piece

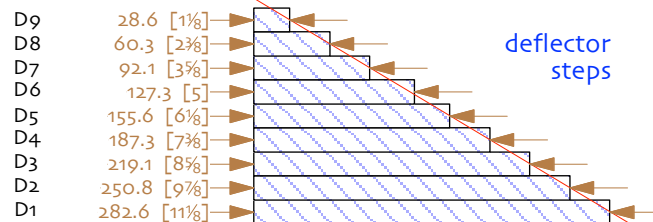
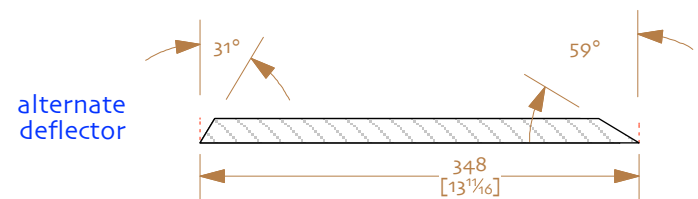


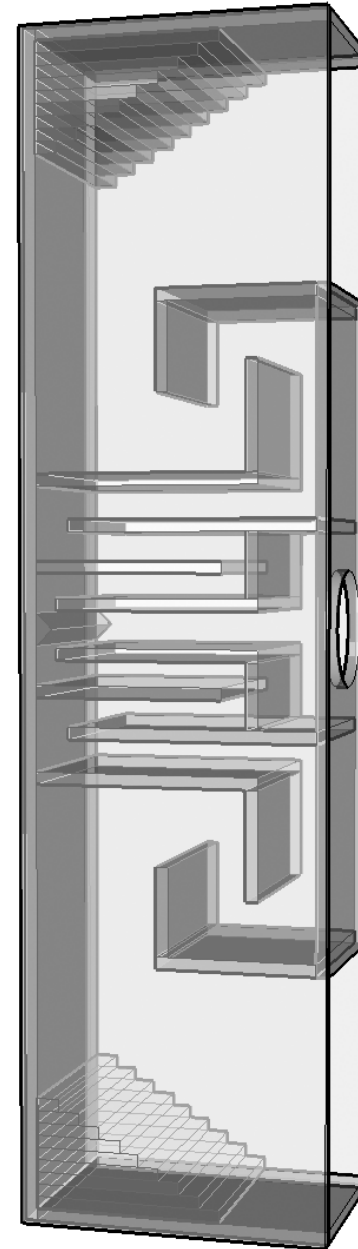
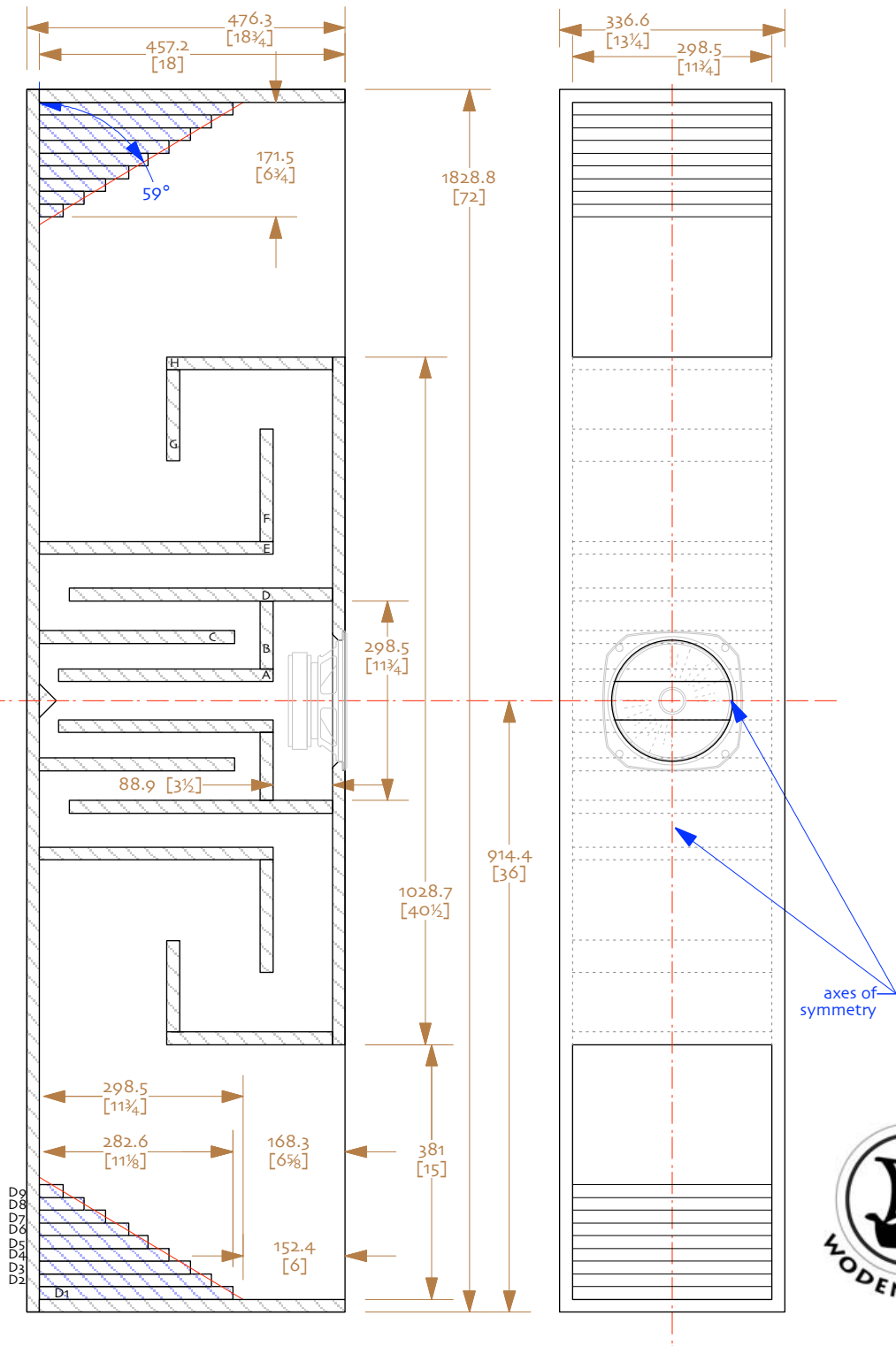
9" wide pieces

| | | |
|---------|----------|-------|
| A | 12 1/4 | 2 off |
| B | 4 | 2 off |
| C | 11 1/4 | 2 off |
| D | 15 1/4 | 2 off |
| E | 13 1/2 | 2 off |
| F | 6 5/8 | 2 off |
| G | 5 3/8 | 2 off |
| H | 9 3/4 | 2 off |
| top/bot | 17 3/4 | 2 off |
| back | 72 | 1 off |
| baffle | 40 1/2 | 1 off |
| D1 | 11 1/8 | 2 off |
| D2 | 9 7/8 | 2 off |
| D3 | 8 5/8 | 2 off |
| D4 | 7 3/8 | 2 off |
| D5 | 6 1/8 | 2 off |
| D6 | 5 | 2 off |
| D7 | 3 5/8 | 2 off |
| D8 | 2 3/8 | 2 off |
| D9 | 1 1/8 | 2 off |
| alt def | 13 11/16 | 2 off |



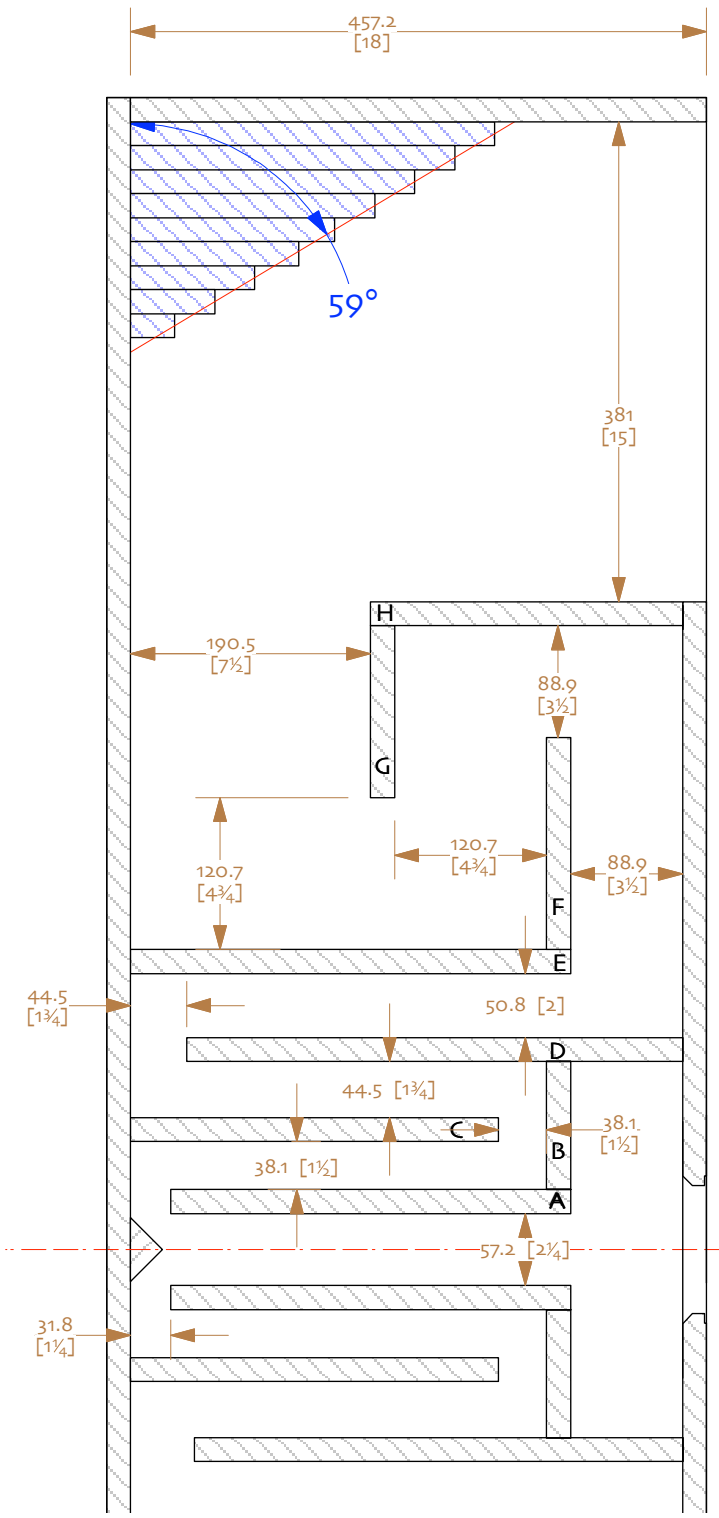
Haruna Manifold Horn ov93
 FE166En | 07-april-2012
 Sheet 0 - 3/4" plan details
 designed by Scott Lindgren | drawn by dld
 © 2007-2012 frugal-horn.com
 free for non-commercial use only





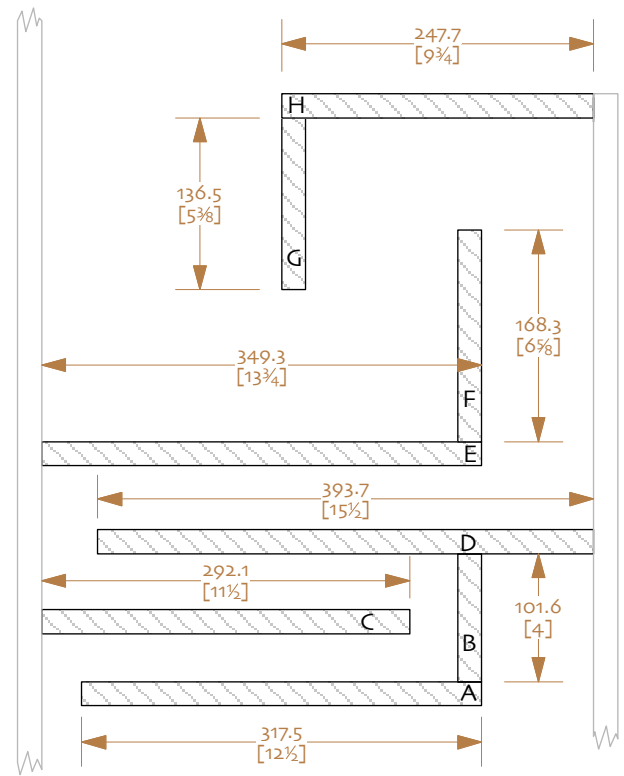
Kirishima Manifold Horn ov92
 FE206En | 07-april-2012
 Sheet 0 - 3/4" plans
 designed by Scott Lindgren | drawn by dld
 © 2007-2012 frugal-horn.com
 free for non-commercial use only

Notes:
 o/ drawn using 3/4" (19mm)
 material
 1/ you may replace the stacked
 corner deflectors with a single
 angled piece

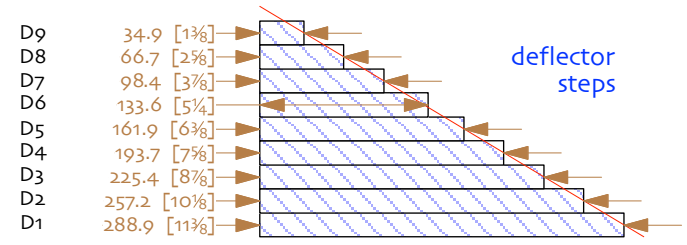
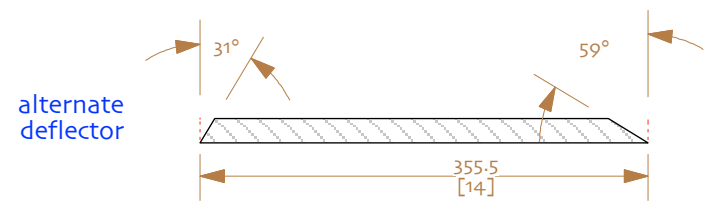


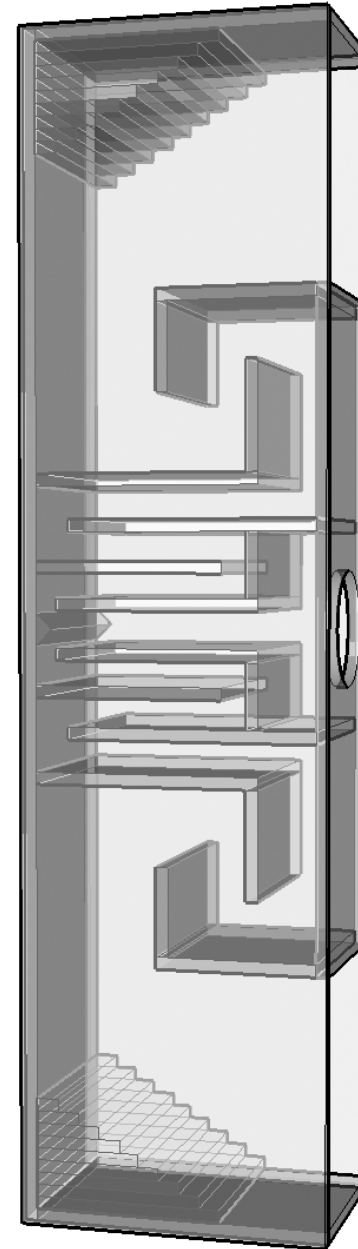
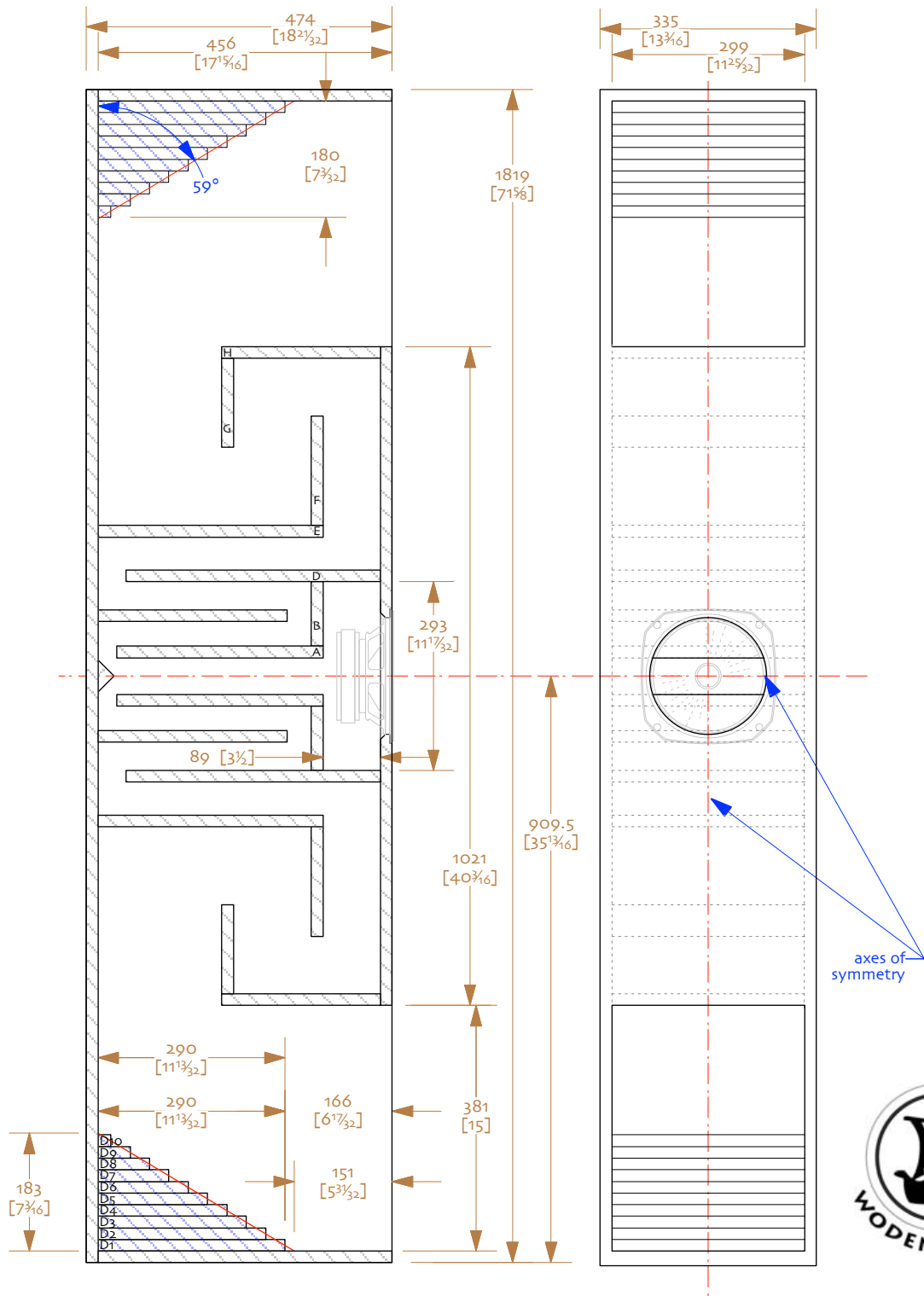
11 3/4" wide pieces

| | | |
|---------|--------|-------|
| A | 12 1/2 | 2 off |
| B | 4 | 2 off |
| C | 11 1/2 | 2 off |
| D | 15 1/2 | 2 off |
| E | 13 3/4 | 2 off |
| F | 6 5/8 | 2 off |
| G | 5 3/8 | 2 off |
| H | 9 3/4 | 2 off |
| top/bot | 18 | 2 off |
| back | 72 | 1 off |
| baffle | 40 1/2 | 1 off |
| D1 | 11 3/8 | 2 off |
| D2 | 10 1/8 | 2 off |
| D3 | 8 7/8 | 2 off |
| D4 | 7 5/8 | 2 off |
| D5 | 6 3/8 | 2 off |
| D6 | 5 1/8 | 2 off |
| D7 | 3 7/8 | 2 off |
| D8 | 2 5/8 | 2 off |
| D9 | 1 1/8 | 2 off |
| alt def | 14 | 2 off |



Kirishima Manifold Horn ov93
 FE206En | 23-march-2016
 Sheet 0 - 3/4" plan details
 designed by Scott Lindgren | drawn by dld
 © 2007-2016 frugal-horn.com
 free for non-commercial use only

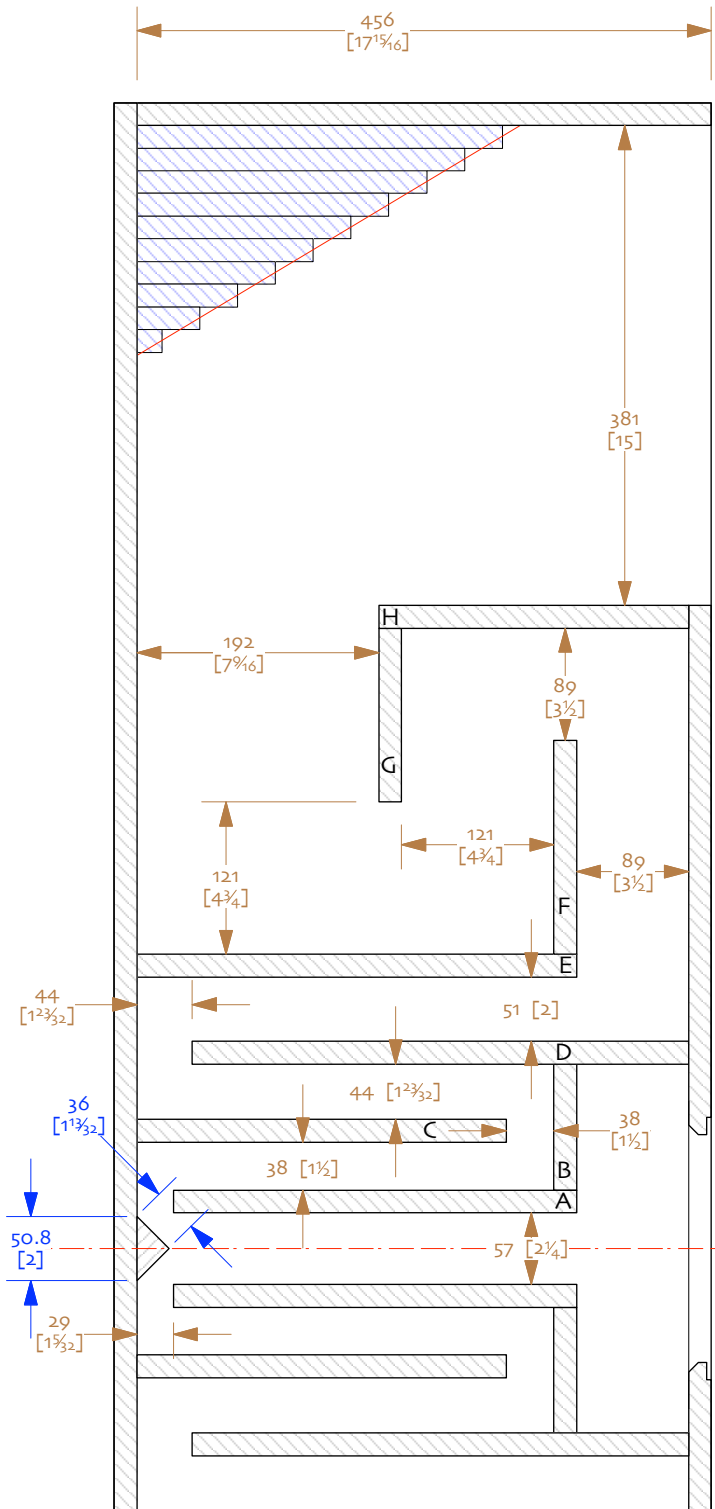




Kirishima Manifold Horn ov92
 FE206En | 07-april-2012
 Sheet 0 - 18mm plans
 designed by Scott Lindgren | drawn by dld
 © 2007-2012 frugal-horn.com
 free for non-commercial use only

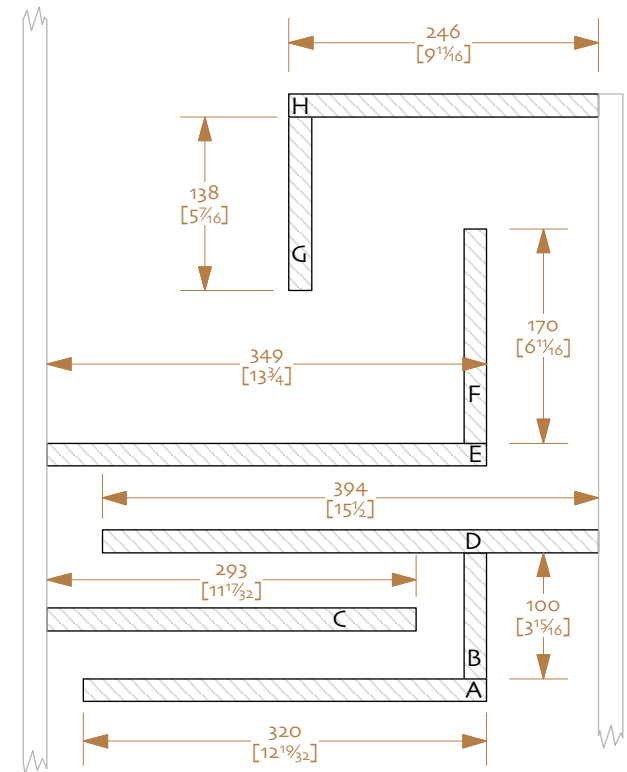
Notes:

o/ drawn using 18mm (19mm) material
 1/ you may replace the stacked corner deflectors with a single angled piece



299mm wide pieces

| | | |
|---------|------|-------|
| A | 320 | 2 off |
| B | 100 | 2 off |
| C | 293 | 2 off |
| D | 394 | 2 off |
| E | 349 | 2 off |
| F | 170 | 2 off |
| G | 138 | 2 off |
| H | 246 | 2 off |
| top/bot | 456 | 2 off |
| back | 1819 | 1 off |
| baffle | 1021 | 1 off |
| D1 | 290 | 2 off |
| D2 | 260 | 2 off |
| D3 | 230 | 2 off |
| D4 | 200 | 2 off |
| D5 | 170 | 2 off |
| D6 | 140 | 2 off |
| D7 | 110 | 2 off |
| D8 | 80 | 2 off |
| D9 | 50 | 2 off |
| D10 | 20 | 2 off |
| alt def | 356 | 2 off |



Kirishima Manifold Horn ov93
 FE206En | 18-november-2017
 Sheet 0 - 18mm plan details
 designed by Scott Lindgren | drawn by dld
 © 2007-2012 frugal-horn.com
 free for non-commercial use only

